

# VL STUDIO TABLE/FLOOR

VL Studio Table/Floor - 5744167893

The fixture emits a glare-free diffused light. The triple-layered opal glass provides a very comfortable light distribution and radiates a pleasantly delicate glow to the surroundings.



## Vilhelm Lauritzen

Vilhelm Lauritzen (1894–1984) is one of the most significant architects in the history of Denmark; he was the trail-blazing figurehead of Danish functionalism. A number of his buildings – Nørrebro Theatre (1931–32), Daells Varehus department store (1928–35), Radihuset (1936–41) and the first airport built in Kastrup (1937–39) – represented the concentrated essence of contemporary life.



## Product info

### Information

The untreated brass will change over time and develop a patina.

### Mounting

Glass can be unscrewed to change the light source. Cable type: Plastic cord. Black for black version and white on brass versions. Cable length: 2.5 m. Ø150: On/off switch on cable. Ø250 and Ø320: Electronic dimmer on cable for regulation of light brightness (requires suitable light source).

### Finish

Matt black, wet painted or brushed brass with fine hairlines. White opal glass, glossy. Unlacquered brass which will develop a patina.

### Materials

Glass: Mouth-blown, 3-layered opal glass, glossy. Housing: Deep drawn aluminum or brass. Please note the untreated brass will patinate.

### Sizes and weights

Width x Height x Length (mm) | 250 x 244 x 250 Max 3.8 kg | 320 x 310 x 320 Max 7.9 kg | 150 x 145 x 150 Max 1.3 kg

### Class

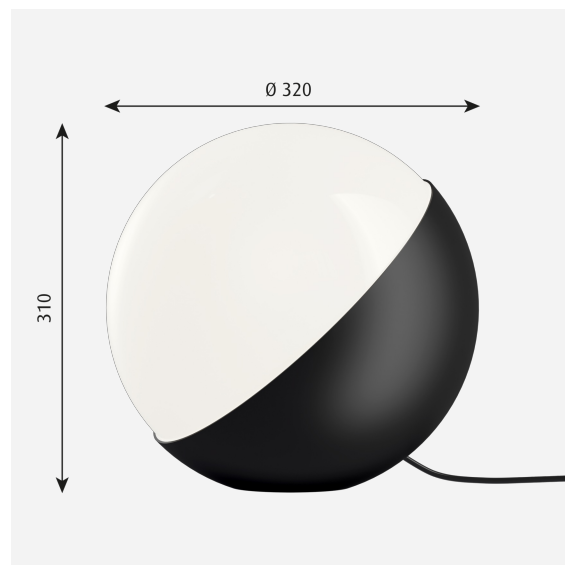
Ingress protection IP20. Electric shock protection II.

### Light source

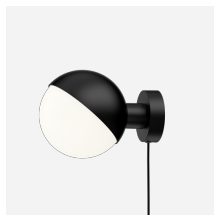
E27

### Information

The untreated brass will change over time and develop a patina.



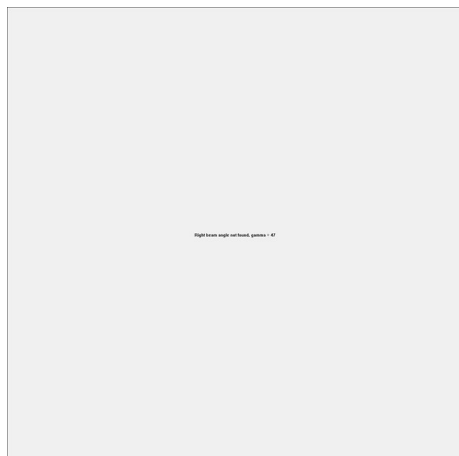
## Related products



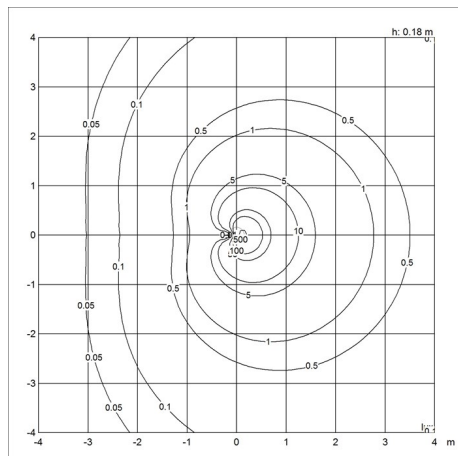
VL Studio Wall

# Light distribution diagrams

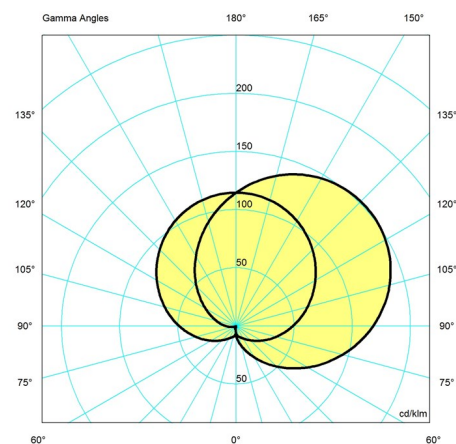
## Cartesian



## Isolux



## Polar



## Spare parts & accessories

### Product

VL Studio Ø320 Table glass  
 VL Studio Table/Wall, White grommet  
 VL Studio Ø250 Table glass  
 VL Studio Table/Wall, Black grommet

### Variant number

5744167864  
 5744167877  
 5744167851  
 5744167880

## Data specifications

Colour	<b>Black</b>	Length	<b>320</b>
Width	<b>320</b>	Height	<b>310</b>
Built-in Height	-	IP class	<b>20</b>
Class	<b>II</b>	Net Weight	<b>6.7</b>
Standby (W)	-	Power Factor (P = 100 % / P = 50 %)	-
Inrush Current	-	Light source	<b>E27</b>
Kelvin	-	CRI	-

## VL Studio Table/Floor

SDCM	-
Watt	-
Light control	-
UGR Transversal / Axial	< 0/10.9
Driver life	-

Lumen	-
Efficacy	-
Min. Dim Level (%)	-
L80B50 (hours)	-