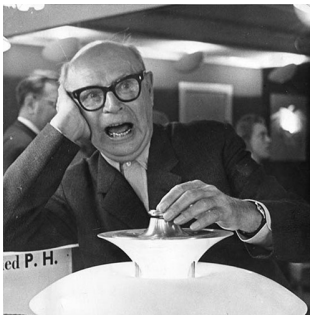


PH 2/1 TABLE

The fixture provides soft lighting. PH 2/1 is designed on the principle of a reflecting multi-shade system, creating harmonious and glare-free lighting. The shade design is based on a logarithmic spiral, with the centre of the light source placed in the spiral's focal point.



Poul Henningsen

The very influential Danish designer, architect, writer, and cultural critic, Poul Henningsen (1894-1967), has had a huge impact on Danish thinking and design. His legacy is an integrated part of Louis Poulsen's endeavor to shape light.



Vinbar Ved Stranden

Private
residence, Sipoo

Product info

Mounting

Cable type: Vinyl cord with plug. Cable length: 1,75m. Light control: In-line switch on cord.

Finish

Brass metallised, black metallised or high lustre chrome plated. White opal glass.

Materials

Shades: Mouth-blown white opal glass. Top plate: Brass metallised, black metallised or high lustre chrome plated, machined brass. Base and stem: Brass metallised, black metallised or high lustre chrome plated, brass.

Sizes and weights

Width x Height x Length (mm) | 200 x 355 x 200 Max 1.5 kg

Class

Ingress protection IP20. Electric shock protection II w/o ground.

Light source

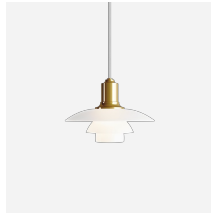
1x33W G9

Related products



PH 2/1 Stem Fitting

PH 2/1 Wall



PH 2/1 Pendant

Product variants

Colour	Cable type	Light source
● Black metallised	Blk pl	1x33W G9
● Brass metallised	Wht pl	
● High lustre chrome plated		

Design

Poul Henningsen

Weight

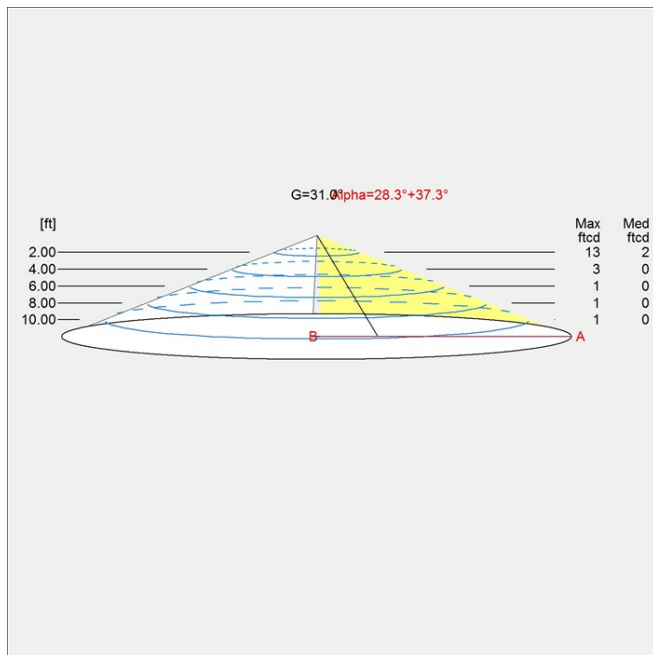
Min: 1.476 kg Max: 1.477 kg

Finish

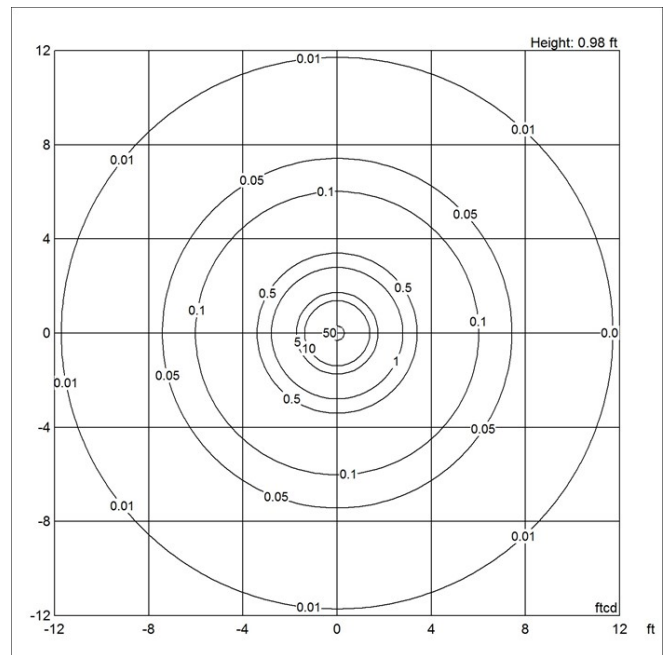
Black metallised, Brass metallised, High lustre chrome plated

Light distribution diagrams

Cartesian



Isolux



Polar

Spare parts & accessories

PH 2/1 Table

Product	Variant number
PH 2-1, middle shade glass	5741084940
PH 2-1, lower shade glass	5741084953
PH 2-1, top shade glass Table/Wall	5741084937
PH 2/1 Table, diffuser glass	5744164317
PH 2-1, Table shadeholder chrome	5744164320
PH 2-1, Table shadeholder black PVD	5744164333
PH 2-1, Table shadeholder brass PVD	5744164362
PH 2-1, lower shade amber glass	5744169396
PH 2-1, middle shade amber glass	5744169406
PH 2-1, top shade amber glass Table	5744169419