

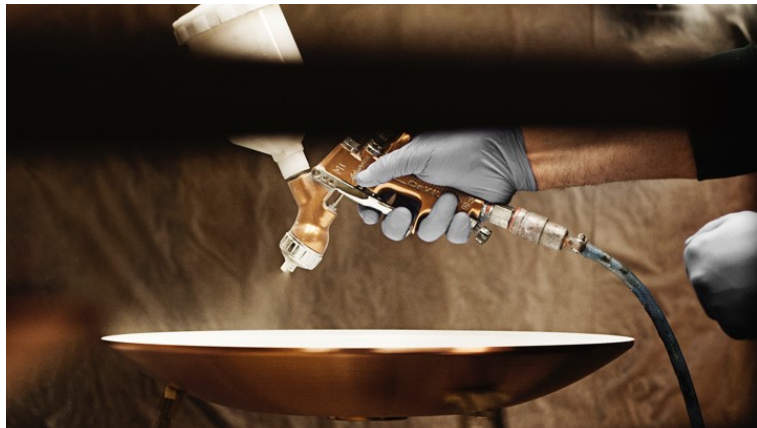
PH 3¹/₂-2¹/₂ GLASS TABLE

The fixture is designed based on the principle of a reflective three-shade system, which directs the majority of the light downwards. The shades are made of mouth-blown opal three-layer glass, which is glossy on top and sandblasted matt on the underside, giving a soft and diffused light distribution.



Poul Henningsen

The very influential Danish designer, architect, writer, and cultural critic, Poul Henningsen (1894-1967), has had a huge impact on Danish thinking and design. His legacy is an integrated part of Louis Poulsen's endeavor to shape light.



Product info

Mounting

Cable type: Plastic cord with plug. Cable length: 2.5m. Light control: In-line switch on cord.

Finish

Brass metallised, black metallised or high lustre chrome plated. White opal glass.

Materials

Shades: Mouth-blown white opal glass. Top plate: Brass metallised, black metallised or high lustre chrome plated, spun brass. Base and stem: Brass metallised, black metallised or high lustre chrome plated, brass.

Sizes and weights

Width x Height x Length (mm) | 330 x 465 x 330 Max 3.0 kg

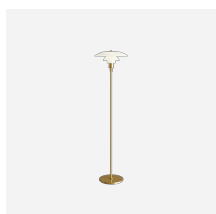
Class

Ingress protection IP20. Electric shock protection I w/ ground.

Light source

1x60W E14

Related products



PH 3½-2½ Floor



PH 3½-3 Pendant



PH 3½-2½ Table



PH 3½-3 Glass Pendant

Product variants

Colour	Cable type	Light source
● Black metallised	Blk pl	1x60W E14
● Brass metallised	Wht pl	
● High lustre chrome plated		

Design

Poul Henningsen

Weight

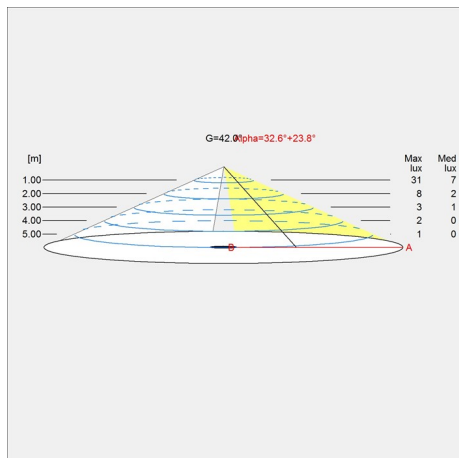
Min: 2.921 kg Max: 2.979 kg

Finish

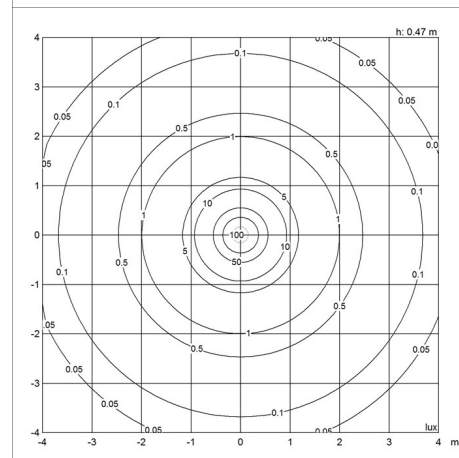
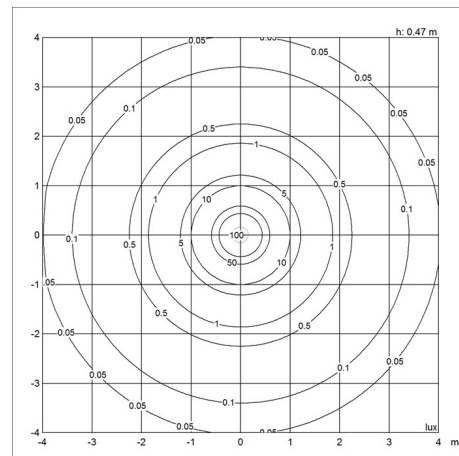
Black metallised, Brass metallised, High lustre chrome plated

Light distribution diagrams

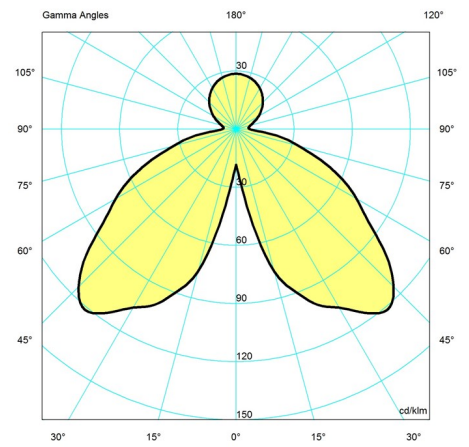
Cartesian



Isolux



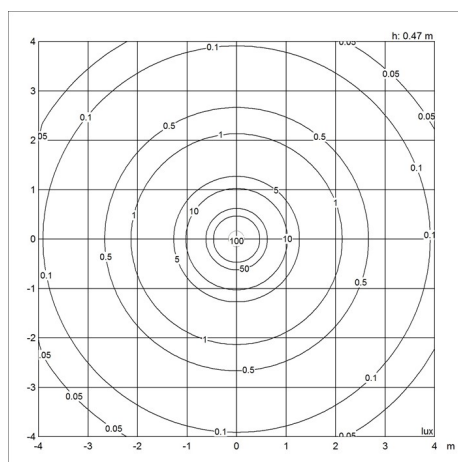
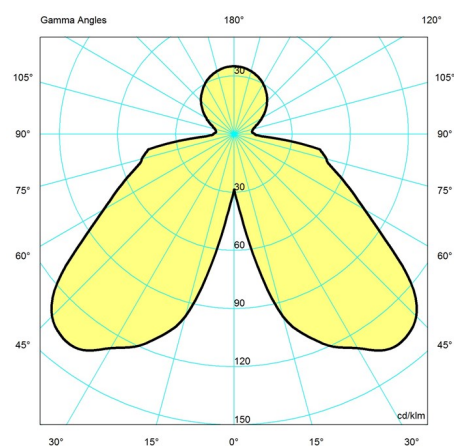
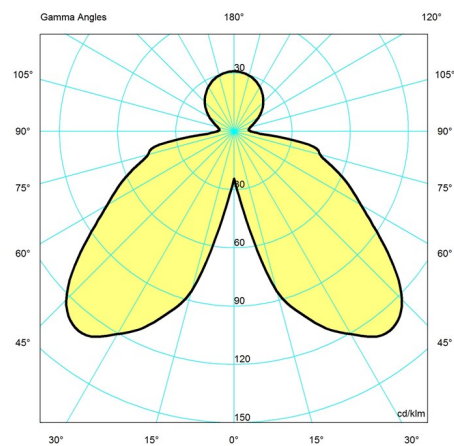
Polar



Cartesian

Isolux

Polar



Spare parts & accessories

Product

Finger screw SS M3X12 (3pcs) lower
 Finger screw SS M2X8 (3pcs) middle
 Finger screw brass raw M2X8 (3pcs)middle
 Finger screw brass raw M3X12 (3pcs)lower
 PH 3½-2½, Glass middle shade
 PH 3½-2½, Glass lower shade
 PH 3½, Glass top shade

Variant number

5744610528
 5744611116
 5744611271
 5744611284
 5744162241
 5744162254
 5744162267