

PH 3 $\frac{1}{2}$ -2 $\frac{1}{2}$ TABLE

The louvre is 100% glare-free, with a design based on the principle of a reflective three-shade system, which directs most of the light downwards. The white painted lower surface of the top shade gently directs the light downwards. The two bottom mouth-blown opal glass shades ensure a large glare-free light surface, making optimum use of the light source to provide comfortable, functional lighting. The opal glass shades are shiny on the outside and matt on the inside.



Poul Henningsen

The very influential Danish designer, architect, writer, and cultural critic, Poul Henningsen (1894-1967), has had a huge impact on Danish thinking and design. His legacy is an integrated part of Louis Poulsen's endeavor to shape light.



Fredericia Furniture Showroom

Private
Residence,
Copenhagen

Product info

Mounting

Cord type: Plastic with plug. Cord length: 2.5 m. Switch: On the cord.

Finish

Red, green, yellow and white, powder coated.

Materials

Top shade: Spun aluminium. Other shades: Mouth-blown white opal glass. Shade holder: Silk matt brown brass. Stand: Silk matt brown brass.

Sizes and weights

Width x Height x Length (mm) | 330 x 450 x 330 Max 2.5 kg

Class

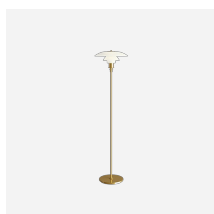
Ingress protection IP20. Electric shock protection II w/o ground.

Light source

1x60W E14



Related products



PH 3½-2½ Floor



PH 3½-3 Pendant



PH 3½-2½ Glass Table



PH 3½-3 Glass Pendant

Product variants

Colour

- Green
- Red
- White
- Yellow

Light source

1x60W E14

Product description

Portable fixture.
Terse and iconic design.
The size of the three shades is adjusted for optimum performance and comfort.
Interior surfaces of glass shades sandblasted to diffuse light.
Interior surface of top shade in white to direct light downward.
Member of a family products of various sizes and type.
Available in four colours.

Mounting

Portable fixture plugs into standard wall outlet.

Light description

The fixture emits glare free, comfortable light.

Design

Poul Henningsen

Material

Top shade: spun aluminum, 1.5mm (0.06") thick, wet painted.
Lower shades: mouth blown white glass, 1.5mm (0.06") thick.
Struts and socket cover: cast copper, bronze finished.
Base: steel with bronze finished, copper cover.
Stem: extruded copper, bronze finished, 2.0mm (0.08") thick.
Switch: on/off, phenolic, on cord.
Socket: Porcelain, medium base for A-19, frosted envelope lamps.

Weight

Min: 2.509 kg Max: 2.509 kg

Finish

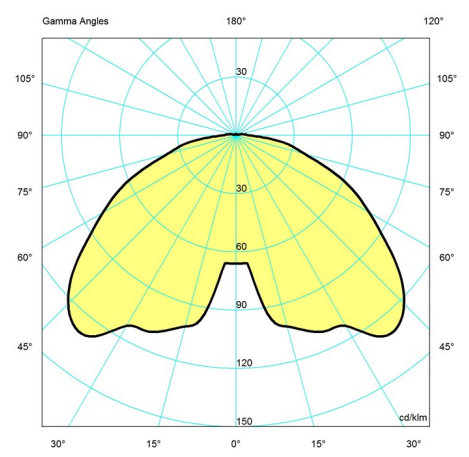
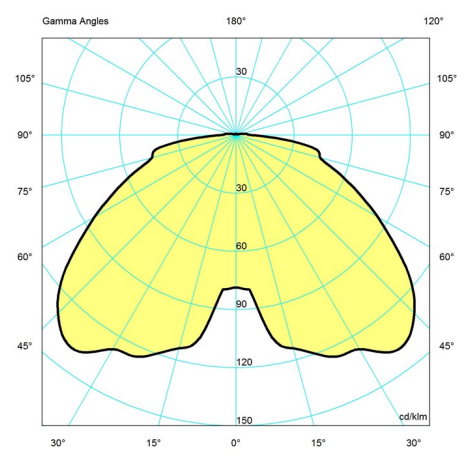
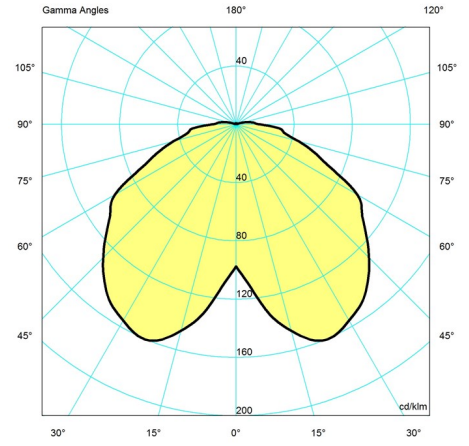
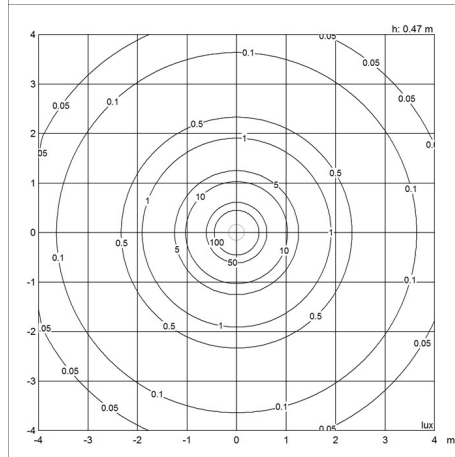
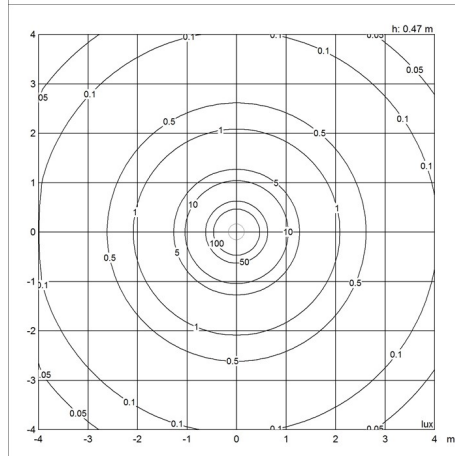
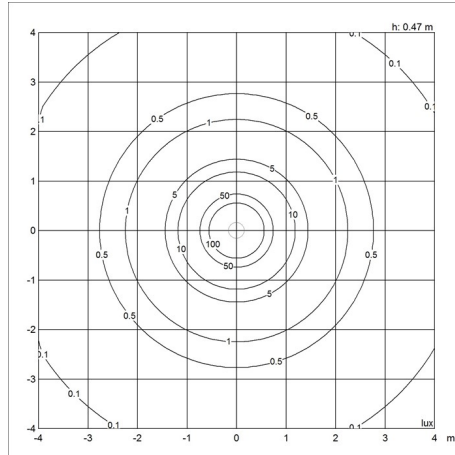
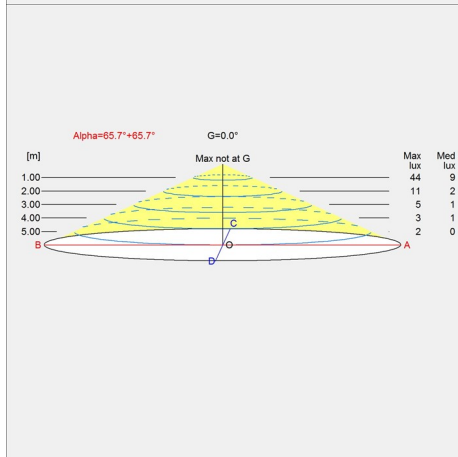
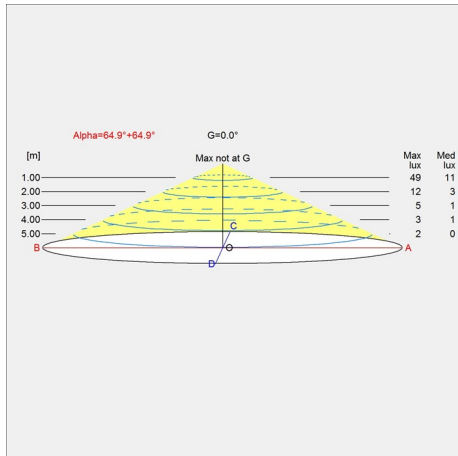
Green, Red, White, Yellow

Light distribution diagrams

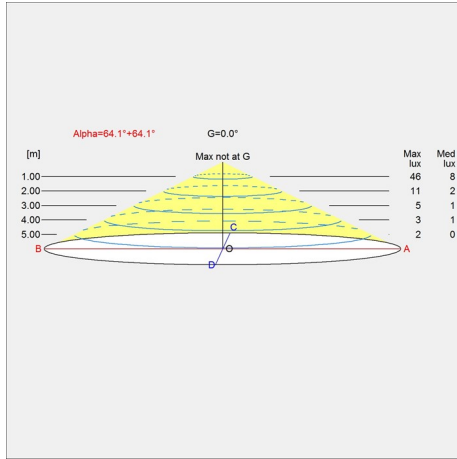
Cartesian

Isolux

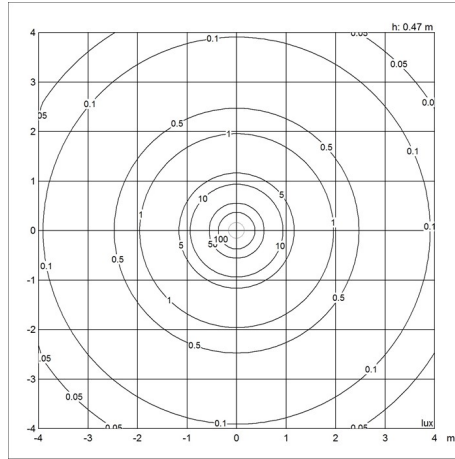
Polar



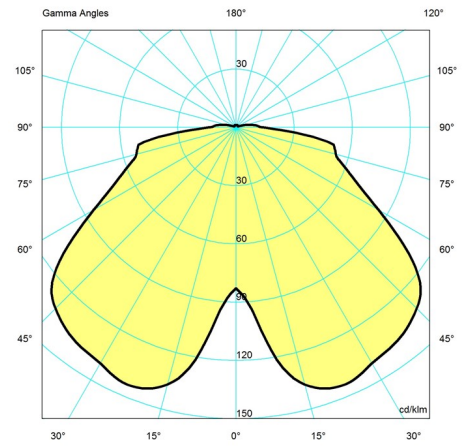
Cartesian



Isolux



Polar



Spare parts & accessories

Product

Variant number

- PH 3½-2½, Glass middle shade
- PH 3½-2½, Glass lower shade
- PH 3½ top shade red
- PH 3½ top shade green
- PH 3½ top shade white
- PH 3½ top shade yellow
- Finger screw OB M3X12 (3pcs) lower
- Finger screw OB M2X12 (3pcs) middle

- 5744162241
- 5744162254
- 5741095434
- 5741095463
- 5741095492
- 5741095528
- 5744611129
- 5744611132