

PH 4½-3½ GLASS TABLE

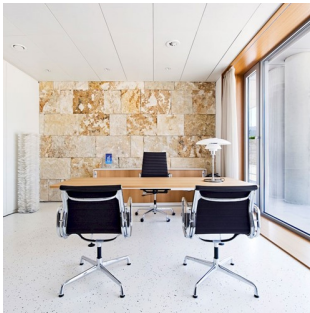
PH 4½-3½ Glass Table - 5744161501

The fixture is designed based on the principle of a reflective three-shade system, which directs the majority of the light downwards. The shades are made of mouth-blown opal three-layer glass, which is glossy on top and sandblasted matt on the underside, giving a soft and diffused light distribution.



Poul Henningsen

The very influential Danish designer, architect, writer, and cultural critic, Poul Henningsen (1894-1967), has had a huge impact on Danish thinking and design. His legacy is an integrated part of Louis Poulsen's endeavor to shape light.



**American Heart
Institute**



Sydbank

Product info

Mounting

Cable type: Plastic cord with plug. Cable length: 2.7m. Light control: Switch in lamp stand.

Finish

High lustre chrome plated. White opal glass.

Materials

Shades: Mouth-blown white opal glass. Anti glare ring: Purple, spun aluminium. Top plate: High lustre chrome plated, spun brass. Base: High lustre chrome plated, spun brass. Stem: High lustre chrome plated, steel.

Sizes and weights

Width x Height x Length (mm) | 450 x 550 x 450 Max 9.3 kg

Class

Ingress protection IP20. Electric shock protection II w/o ground.

Specification notes

The innovation of light sources is ongoing. Consequently we only inform about the max. wattages. On www.louispoulsen.com we update a list of recommendable light sources.

Light source

1x100W E27



Related products



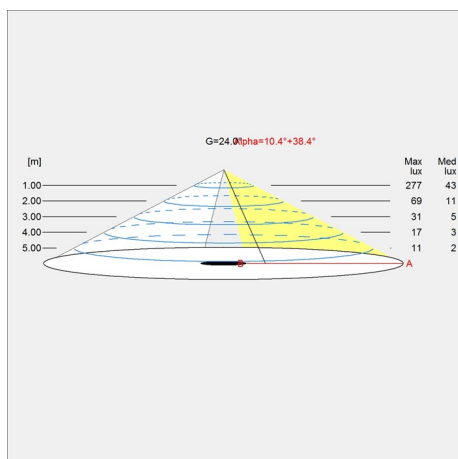
PH 4½-4 Glass Pendant



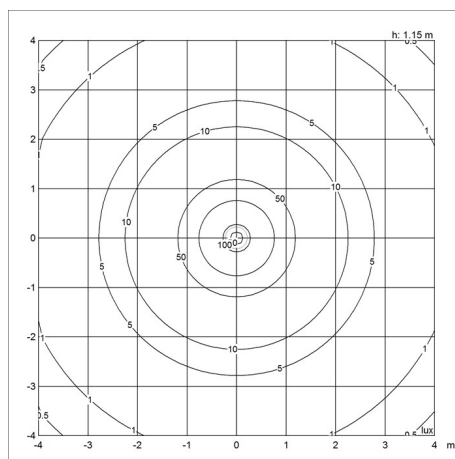
PH 4½-3½ Glass Floor

Light distribution diagrams

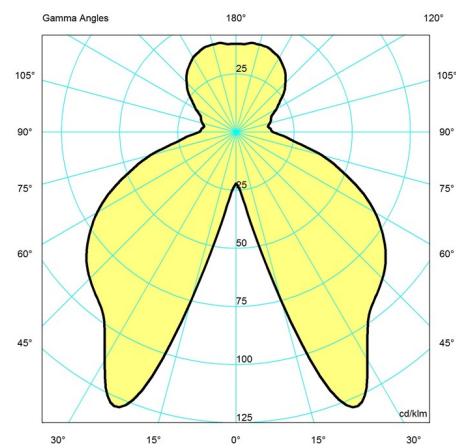
Cartesian



Isolux



Polar



Spare parts & accessories

Product	Variant number
Finger screw SS M3X12 (3pcs) lower	5744610528
PH 4½-3½ glass Table/Floor middle shade	5744610612
PH 4½-3½ glass Table/Floor lower shade	5744610625
PH 4½-3½ glass Table/Floor topshade acc	5744610722
Finger screw SS M3X16 (3pcs) middle	5744610845

Data specifications

Colour	High lustre chrome plated	Length	450
Width	450	Height	550
Built-in Height	-	IP class	20
Class	II	Net Weight	9.3
Standby (W)	-	Power Factor (P = 100 % / P = 50 %)	-
Inrush Current	-	Light source	1x100W E27

PH 4½-3½ Glass Table

Kelvin	-
SDCM	-
Watt	-
Light control	-
UGR Transversal / Axial	14.4/14.4
Driver life	-

CRI	-
Lumen	-
Efficacy	-
Min. Dim Level (%)	-
L80B50 (hours)	-