

# PH 80

PH 80 - 5744611352

The fixture emits a diffused, reflected, symmetrical light. The majority of the light is directed downward. The opal acrylic shades provide comfortable room lighting. On the original fixture, the red hue of the top reflector adds an intense, warm glow to the light. The black and white fixtures have a white top reflector that reflects the light for a clean, elegant look. The choice of light source will determine the color of the illumination.



## Poul Henningsen

The very influential Danish designer, architect, writer, and cultural critic, Poul Henningsen (1894-1967), has had a huge impact on Danish thinking and design. His legacy is an integrated part of Louis Poulsen's endeavor to shape light.



## Product info

### Mounting

Cord type: Plastic cord with plug. Cord length: 2.6 m. Light control: on/off switch or dimmer on cord.

### Finish

White opal acrylic shades. High-luster chrome-plated stand with textured black base. Black stand with smooth black base. White stand with smooth white base.

### Materials

Shades: High-pressure molded white opal acrylic. Top reflector: Red or white polycarbonate. Top cover and base: Black or white; high-pressure molded ABS. Stand: High-luster chrome-plated, or black or white powder-coated steel.

### Sizes and weights

Width x Height x Length (mm) | 550 x 1315 x 550 Max 7.6 kg

### Class

Ingress protection IP20. Electric shock protection II.

### Specification notes

The innovation of light sources is ongoing. Consequently we only inform about the max. wattages. On [www.louispoulsen.com](http://www.louispoulsen.com) we update a list of recommendable light sources.

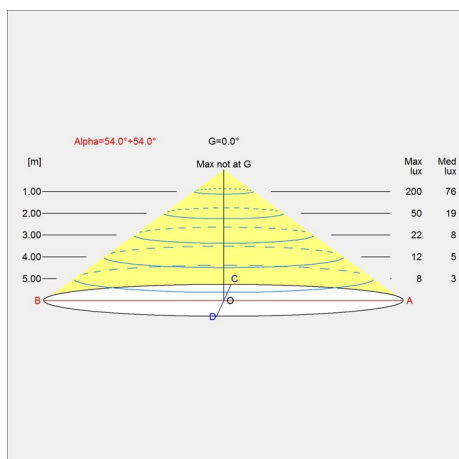
### Light source

1x70W E27

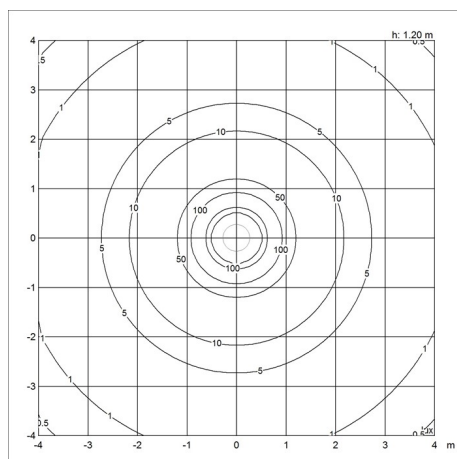


# Light distribution diagrams

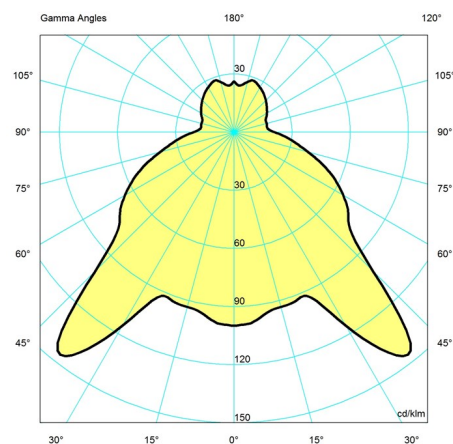
Cartesian



Isolux



Polar



## Spare parts & accessories

| Product                          | Variant number |
|----------------------------------|----------------|
| PH 80 top shade                  | 5744610298     |
| PH 80 middle shade               | 5744610638     |
| PH 80 lower shade                | 5744610641     |
| PH 80 top rouge/black            | 5744610667     |
| PH 80 socket cover w/branch      | 5744610654     |
| PH 80 Floor rebuilding set       | 5744610793     |
| PH 80 top shade White/Black      | 5744611530     |
| PH 80 top shade White/White      | 5744611556     |
| PH 80 FLOOR REBUILDING SET WHITE | 5744611572     |
| PH 80 FLOOR REBUILDING SET BLACK | 5744611585     |
| PH 80 FOOT SWITCH W/DIM, BLACK   | 5744611666     |
| PH 80 FOOT SWITCH W/DIM WHITE    | 5744611679     |
| Foot switch On/Off black         | 5717000000     |

## Data specifications

|        |                        |        |      |
|--------|------------------------|--------|------|
| Colour | White opal acryl/black | Length | 550  |
| Width  | 550                    | Height | 1315 |

|                         |           |                                     |           |
|-------------------------|-----------|-------------------------------------|-----------|
| Built-in Height         | -         | IP class                            | 20        |
| Class                   | II        | Net Weight                          | 7.6       |
| Standby (W)             | -         | Power Factor (P = 100 % / P = 50 %) | -         |
| Inrush Current          | -         | Light source                        | 1x70W E27 |
| Kelvin                  | -         | CRI                                 | -         |
| SDCM                    | -         | Lumen                               | -         |
| Watt                    | -         | Efficacy                            | -         |
| Light control           | -         | Min. Dim Level (%)                  | -         |
| UGR Transversal / Axial | 13.4/13.4 | L80B50 (hours)                      | -         |
| Driver life             | -         |                                     |           |