

# FLOS

F3170059 Brass

## IC Lights T1 High

Designed by Michael Anastassiades, 2014



Halogen - 60W

Table lamp providing diffused light. Frame in brass, brushed and transparent varnished or chrome steel, and black. Blown glass opal diffuser. Dimmer on the power chord.

Are you a professional and your project needs consulting and support?

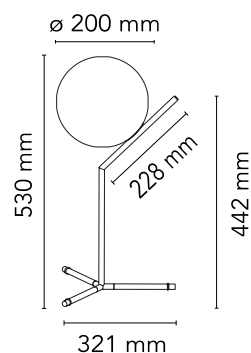
BOOK AN APPOINTMENT

### Main specifications

EAN	8059607002667
Mounting	Table
Environments	Indoor dry location
Light Source Type	Bulb
Lamp category	Halogen
Lamp holders	E14
Iicos	HSGS
Number of heads	1
Power (W)	60

### Physical

Colour	Brass
Length (mm)	200
Net weight (kg)	1.2
Package volume (m3)	0.04
IP internal	20



### Download

Mounting instructions [↓ PDF](#)

Spare Parts [↓ PDF](#)

### Photometric Files

LDT / IES [↓ LDT](#)

### Technical Drawings

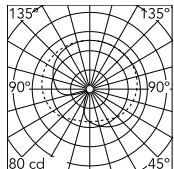
2D [↓ ZIP](#)

3D [↓ ZIP](#)

[Bim](#) [↓ ZIP](#)



## Schematic light drawing



Luminous flux Luminaire  
689 lm

### Photometric

Lighting type	Total
Light distribution	Asymmetric

### Electrical

Insulation class	II
Frequency (Hz)	50/60
Main voltage (Vac)	220-240
LED voltage Vf (Vdc)	null
Dimmable	Yes
Dimming interface	Dimmer Integrated
Plug type	Type C
Batteries inside	No

## Bulbs



NOT INCLUDED

RF32290

LED Lamp E14 8W 2700K T28



NOT INCLUDED

RF32291

LED Lamp E14 8W 3000K T28



NOT INCLUDED

RF32767

LED Lamp 9W E14 220-240V  
2700K T28

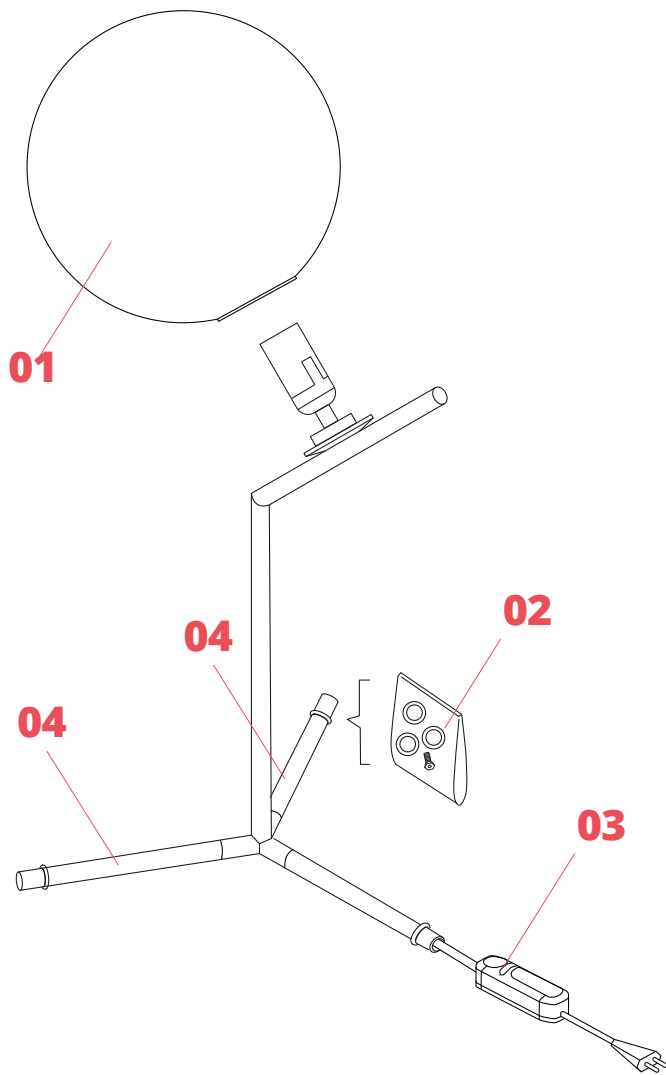


NOT INCLUDED

RF32768

LED Lamp 9W E14 220-240V  
3000K T28

## Spare Parts



- |     |  |           |
|-----|--|-----------|
| 01. | IC Lights 1 diffuser for brass version | F3136059  |
| 02. | Gasket and foot kit for ic high-low    | RF3160400 |
| 03. | Black Dimmer Switch                    | RF28206   |
| 04. | Lower brass leg                        | RF23317   |

**DOWNLOAD**



F3136059  
IC Lights 1 diffuser for brass  
version



RF3160400  
Gasket and foot kit for ic high-low



RF28206  
Black Dimmer Switch



RF23317  
Lower brass leg