

# VL38 FLOOR

VL38 Floor - 5744162270

The fixture emits downward directed light. The angle of the shade can be adjusted to optimize light distribution. The shade is painted white on the inside to ensure a soft comfortable light.



## Vilhelm Lauritzen

Vilhelm Lauritzen (1894–1984) is one of the most significant architects in the history of Denmark; he was the trail-blazing figurehead of Danish functionalism. A number of his buildings – Nørrebro Theatre (1931–32), Daeils Varehus department store (1928–35), Radiohuset (1936–41) and the first airport built in Kastrup (1937–39) – represented the concentrated essence of contemporary life.



## Product info

### Information

Please note that the brass surfaces are untreated. This means that the surface will change over time and develop a patina. Function to set a fixed light level each time the lamp is connected to main power. LED driver fitted externally on cord. Two light levels 50% or 100%. Timer function to automatically turn off the light after amount of time, selectable between off/4 hours/8 hours. Adjustable (up and down) lamp shade. This product is fitted with an integrated energy-saving LED light source. Should you wish to replace it, please contact Louis Poulsen so we can help you purchase the correct LED Replacement Kit. Please note that LED-replacement should always be carried out by an authorised electrician.

### Mounting

Cable type: Plastic cord. Cable length: 4m. Light control: In-line switch on cord. 2 light levels. Timer function: 4 hours/8 hours. LED driver: separate, plugs into power outlet.

### Finish

Brushed brass. Black or White, powder coated.

### Materials

Base: Die cast aluminium. Shade: Spun aluminium. Stem: Brushed brass.

### Sizes and weights

Width x Height x Length (mm) | 135 x 1200 x 250 Max 4.2 kg

### Class

Ingress protection IP20. Electric shock protection II w/o ground.

### Light source

LED 2700K 9.6W

Lumen: 416

### Information

Please note that the brass surfaces are untreated. This means that the surface will change over time and develop a patina. Function to set a fixed light level each time the lamp is connected to main power. LED driver fitted externally on cord. Two light levels 50% or 100%. Timer function to automatically turn off the light after amount of time, selectable between off/4 hours/8 hours. Adjustable (up and down) lamp shade. This product is fitted with an integrated energy-saving LED light source. Should you wish to replace it, please contact Louis Poulsen so we can help you purchase the correct LED Replacement Kit. Please note that LED-replacement should always be carried out by an authorised electrician.



## Related products



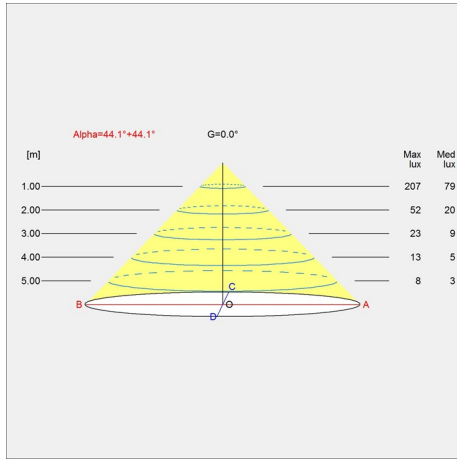
VL38 Wall



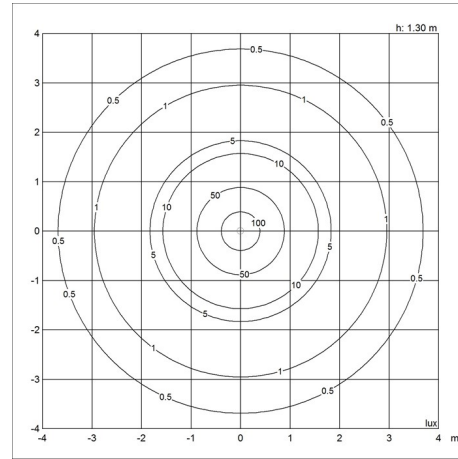
VL38 Table

# Light distribution diagrams

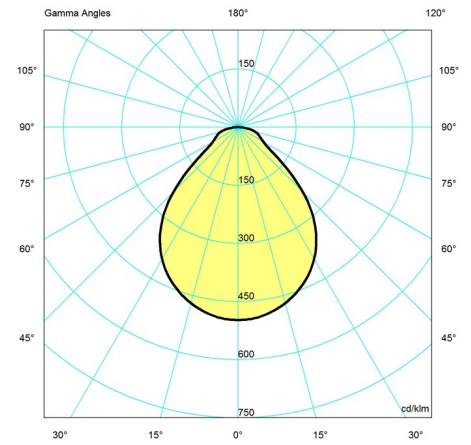
Cartesian



Isolux



Polar



## Spare parts & accessories

**Product**

Adaptor 12V black  
Adaptor 12V white

**Variant number**

5744164867  
5744164870

## Data specifications

Colour	White	Length	250
Width	135	Height	1200
Built-in Height	-	IP class	20
Class	II	Net Weight	4.2
Standby (W)	-	Power Factor (P = 100 % / P = 50 %)	0.52/0.45
Inrush Current	-	Light source	LED 2700K 9.6W
Kelvin	2700	CRI	90
SDCM	3	Lumen	416

**VL38 Floor**

Watt	<b>9.6</b>
Light control	-
UGR Transversal / Axial	<b>21.8/21.8</b>
Driver life	-

Efficacy	<b>43</b>
Min. Dim Level (%)	<b>50</b>
L80B50 (hours)	<b>&gt;100.000</b>